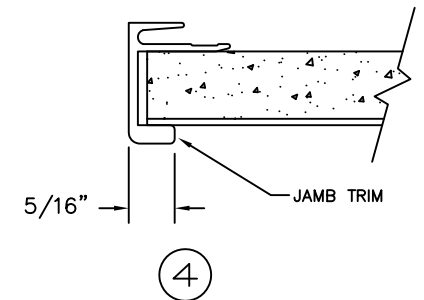
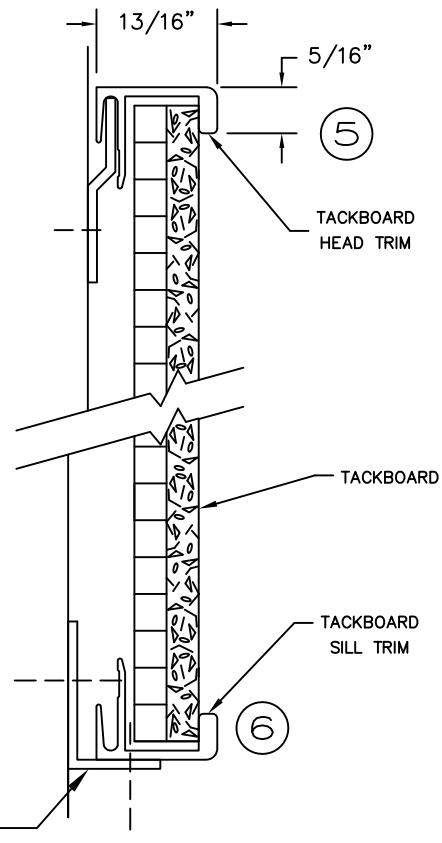
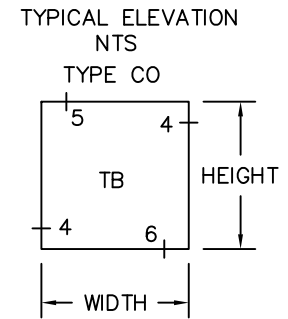
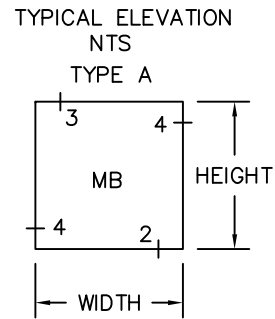
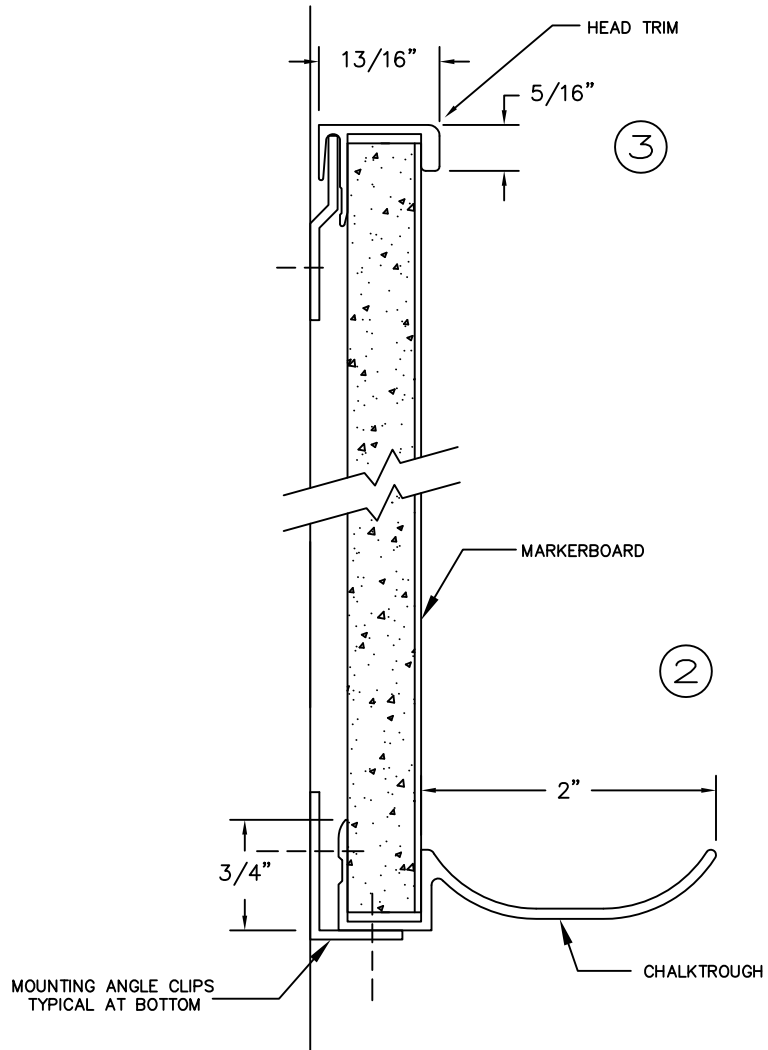


CONNECT BY CLARIDGE
 CONCEPT SERIES
 FACTORY BUILT UNITS
 TRIM SECTION DETAILS
 SCALE=FULL SIZE



MOUNTING ANGLE CLIPS
 TYPICAL AT BOTTOM