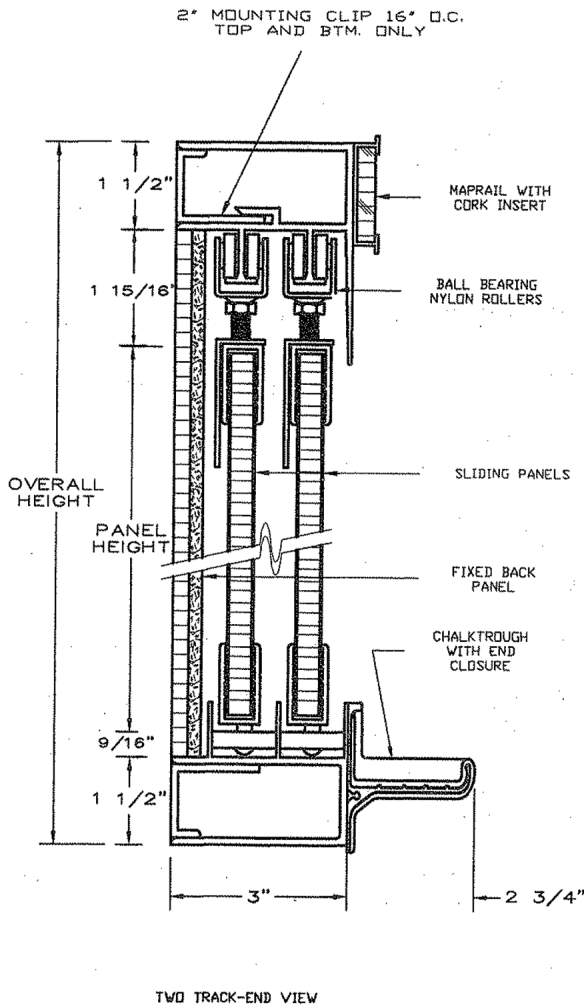


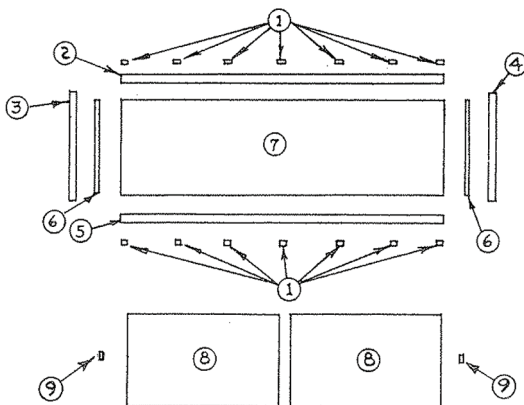


Horizontal Sliding Units Installation Instructions



1. Lay out and identify all parts.
2. Using the 2-1/2" pan head screws furnished, fasten top and bottom clips to wall on 16" centers being sure clips are level.
3. Slide rollers onto tracks in top member. Be sure openings in rollers on front track face to the rear and openings for rollers on all other tracks face forward. (On 3 or 4 track units, rollers on tracks 1 and 3 must face to the rear.)
4. Install fixed back panel to wall with egg-sized globs of adhesive 16" on centers. The clearance between the back panel and sliding panel is close. Be sure not to get too much adhesive or allow the back panel to stick out any farther from the wall than necessary. We recommend using screw - in addition to the adhesive - along top and bottom of back panel. (Screws furnished.) 1/8" clearance is allowed at top, bottom, and sides of fixed back panel. Install back panel jamb trim members. No head or sill trim is required.
5. Fasten right and left hand jamb housing members to top and bottom members with 1/2" pan head screws provided.
6. Position complete frame onto hanger clips previously screwed to wall in step 2.
7. Drill 9/64" diameter holes through into clips at top and bottom. Secure frame to clips with 1/2" pan head screws provided.
8. Position sliding panels in unit by inserting top of panel between tracks and moving it up as far as possible. Tilt bottom of panel into guide channel and let panel rest on lower housing.
9. Slide rollers over hooks in panel. Lift panel and slide hooks into opening in rollers. Tighten nut on rollers to roller assembly.
10. Install finger pulls, two per panel, on sliding panels in pre-drilled holes with 1/2" truss head screws provided.

Parts Layout Identification



1. 2" Mounting Clips 16" O.C. top and bottom
2. Head housing with map rail
3. Left jamb housing
4. Right jamb housing
5. Sill housing with chalk trough
6. Back panel jamb trim - No sill or head trim required for back panel
7. Fixed back panel - Mount to wall
8. Sliding panels
9. Finger pulls

