

Venue Divider

by *Claridge*



Can a whiteboard or vertical panel system be seamlessly integrated into the evolving workplace of today? Can that same system define space and provide visual privacy? Venue seamlessly integrates into the open plan, collaborative team space and the built environment with its slim architecture and mindful details. Venue enhances a variety of aesthetics with a vast library of color finishes, laminates, and textiles to blend in with any aesthetic. It is Venue's timeless design that allows this adaptive visual communications board to work with an existing conference room, collaboration space or a new system within the open plan.

Venue Space Divider

PRODUCT DESIGN NOTES

- Flexible and adaptive room dividers provide a visual border to define space not only within the open environment but within systems themselves.
- Create a boundary of space to define areas of collaboration and areas of concentration.
- Divide personal space between benching seats and workstation clusters/packs.
- Integrated textiles and perforated acoustic panels add another layer of privacy beyond the visual.

PRODUCT FEATURES

Writing Surfaces:

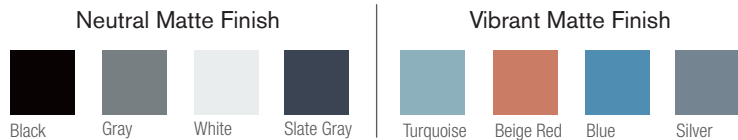
Claridge Porcelain - 6 standard Porcelain colors
Claridge Glass - 10 standard Glass colors

Fabrics & Textiles:

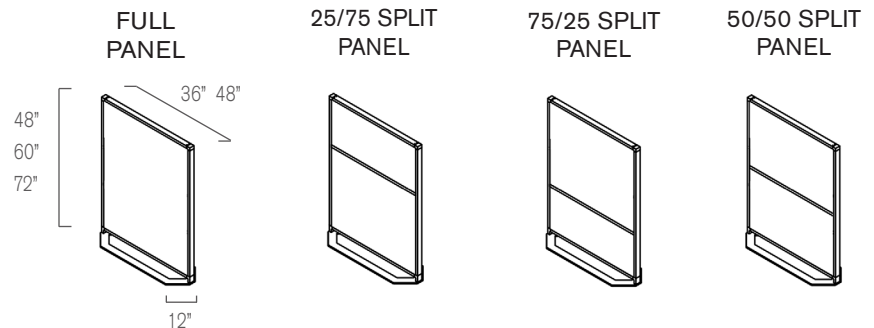
Claridge Acoustics - 5 standard plus 15 optional colors
Carnegie, Marharam, or Guilford materials available. Call for pricing.

Standard Colors:

Frame and Base:



Standard Sizes:



W 36", 48" D 12" H 48", 60", 72"

Venue Space Divider Configurations

