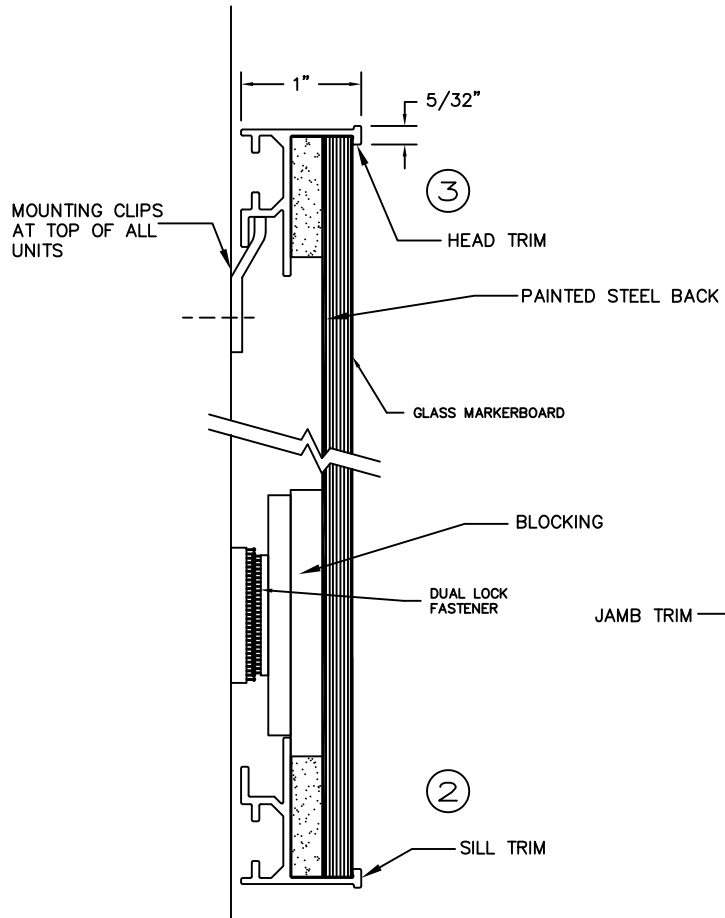
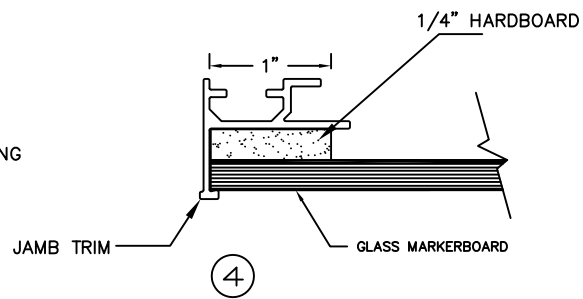
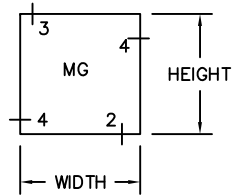


**CONNECT BY CLARIDGE  
X2 MAGNETIC GLASS BOARD**

TRIM SECTION DETAILS  
SCALE=FULL SIZE



TYPICAL ELEVATION  
NTS



TYPICAL ELEVATION  
NTS

