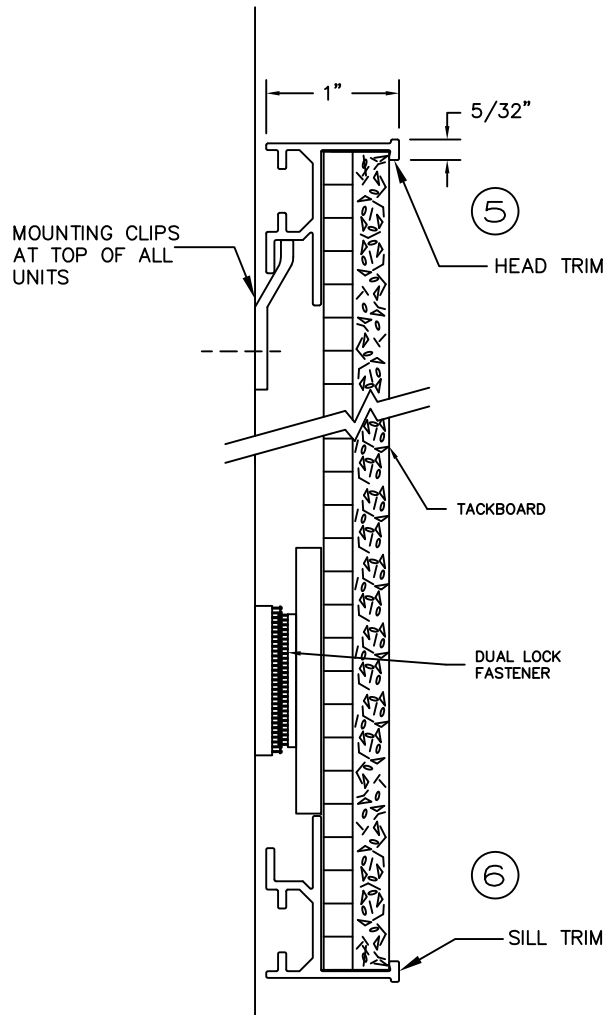
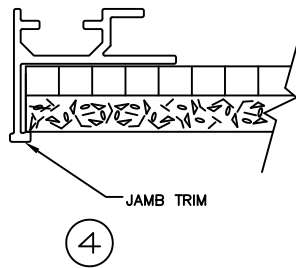
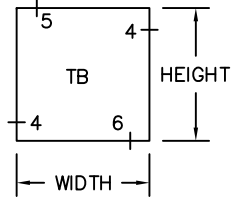


**CONNECT BY CLARIDGE
X2 TACKBOARD**

TRIM SECTION DETAILS
SCALE=FULL SIZE



TYPICAL ELEVATION
NTS



TYPICAL ELEVATION
NTS

