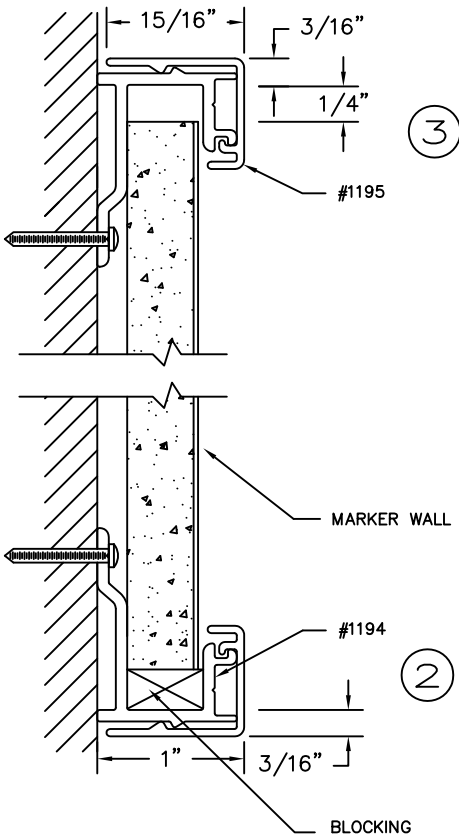
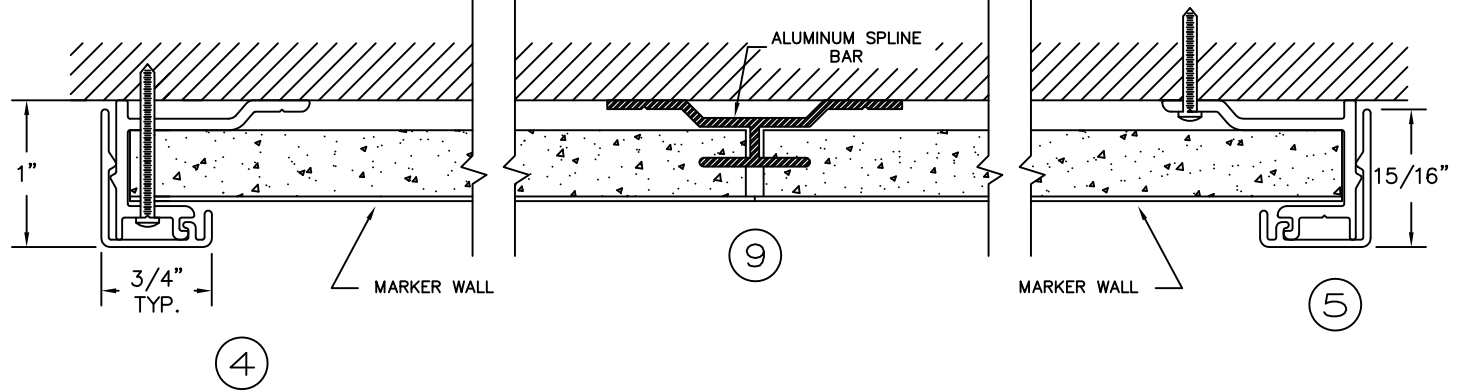
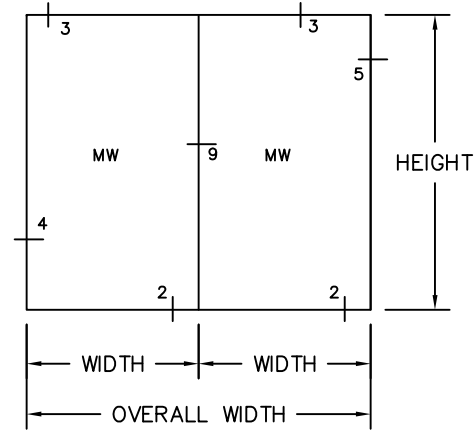


**CLARIDGE
MARKER WALL UNIT**
TRIM SECTION DETAILS
SCALE=FULL SIZE



TYPICAL ELEVATION
NTS



 CLARIDGE
PRODUCTS AND EQUIPMENT, INC.
P.O. BOX 910
HARRISON, AR. 72602