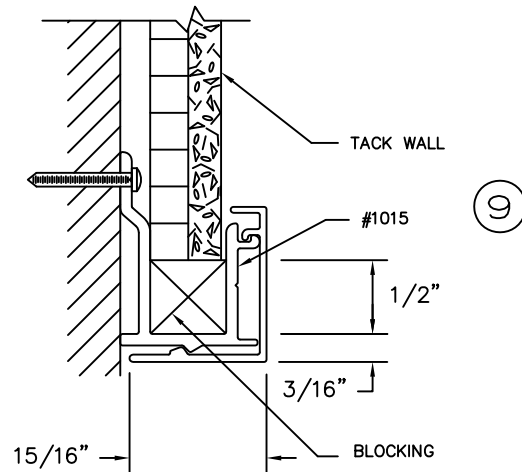
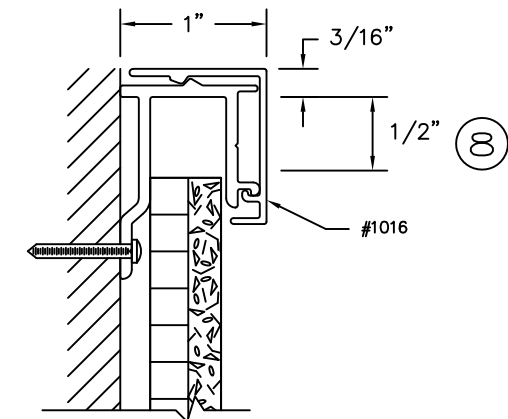
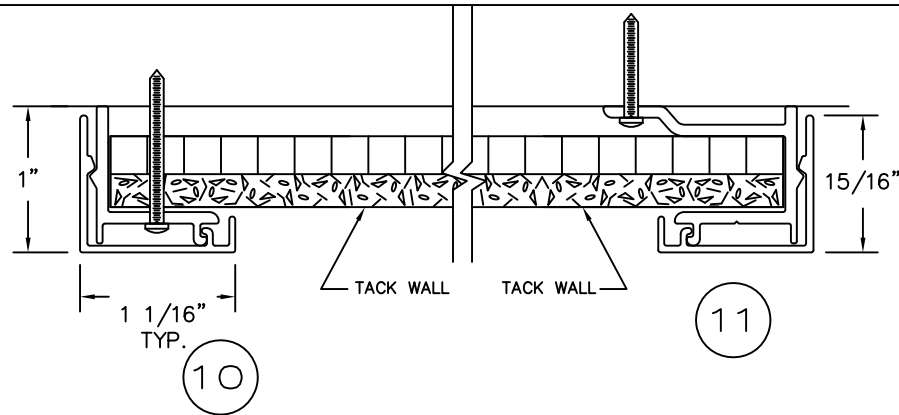


**CLARIDGE FACTORY BUILT
TACK WALL UNIT**
TRIM SECTION DETAILS
SCALE = FULL SIZE



TYPICAL ELEVATION
NTS

