

Desk-Over

Room & Desk Dividers



Desk-Over Divider is a thoughtfully designed room or desk divider add-on that easily rests on existing tables and work surfaces to help create physical separation between employees. No permanent mounting is required, no drilling is required, and setup is easy. Available in a range of acoustic colors.

- Large Panel: available in clear glass, clear acrylic, and diffuser acrylic
- Small Panel: available in 5 standard acoustic colors, 15 optional colors
- Glass and acrylic panels are bacteria resistant, wipeable surfaces
- Glass surface option is writeable
- Fast installation, no permanent mounting required
- Modular and easily movable as business needs change
- Standard sizes: 54" x 54" and 60" x 60"

Desk-Over

Room & Desk Dividers

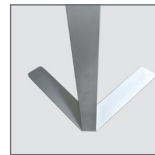
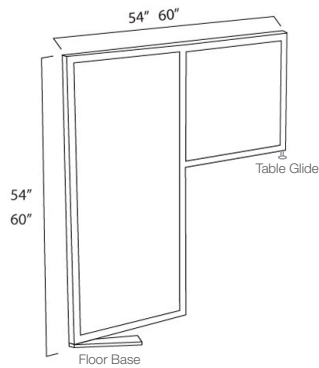
Additional Information

- Panel material options:
 - Full panel - Claridge Glass, Diffuser, and Acrylic
 - Partial panel - Acoustic
- 1/4" Diffuser and Acrylic panel thickness
- 1/2" Acoustic panel thickness
- Table glide extends from 3/4" to 1-3/4" from the unit to rest on table top - call for custom sizes

Learn more about BTO Desk-Over Dividers [HERE](#)

Standard Sizes (H x W)

- 54" x 54"
- 60" x 60"



Floor Base

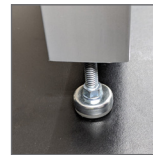


Table Glide Base

Full Panel Options

Clear Glass Acrylic Diffuser



Partial Panel Options

Claridge Acoustic - Standard Colors

