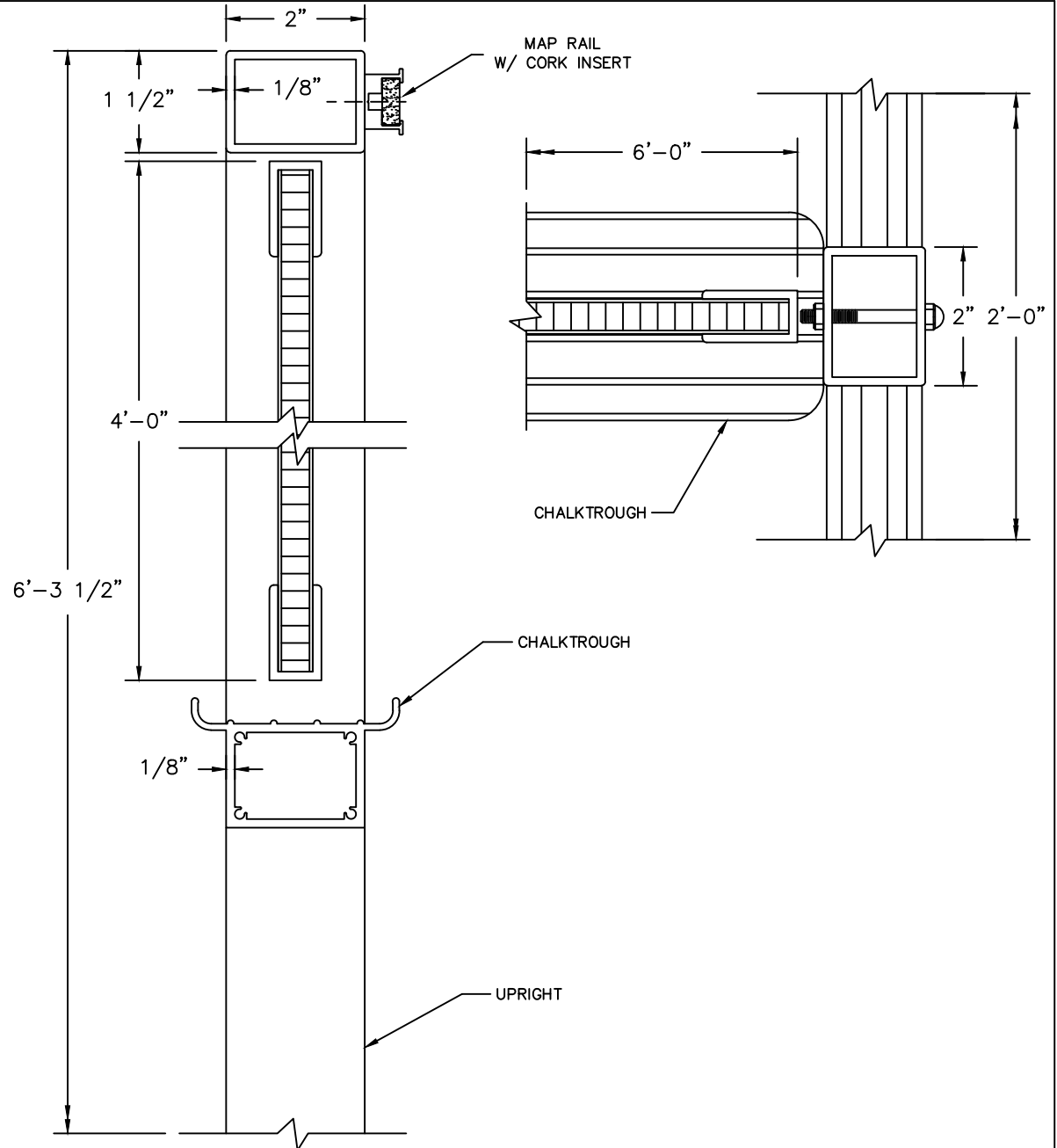
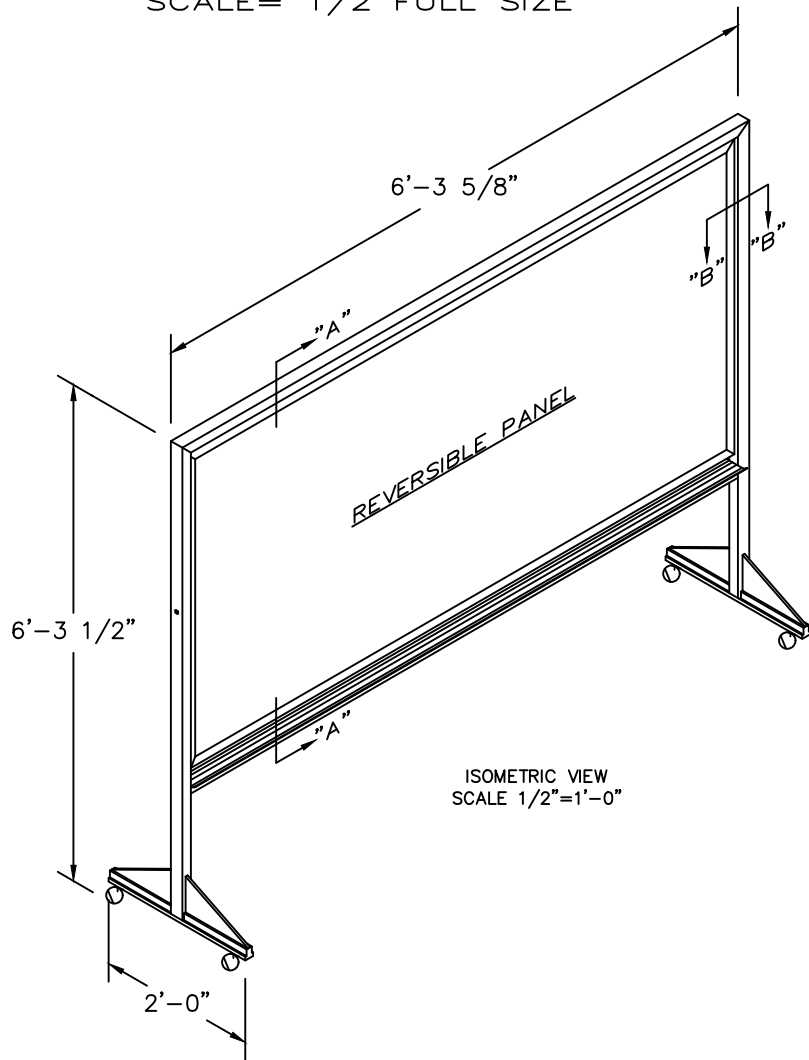


**CLARIDGE FACTORY  
BUILT  
#146CL REVERSIBLE UNITS  
TRIM SECTION DETAILS  
SCALE= 1/2 FULL SIZE**



NOTES:  
 REVERSIBLE PANEL IS LCS 3 #100 WHITE ON BOTH SIDES AND IS APPROX. 1/2" THICK OVERALL.  
 PANEL REVERSES 360 DEGREES & IS LOCKED IN VERTICAL WORKING POSITION WITH SPRING LOADED NYLON ROLLER CATCHES AT EACH JAMB.  
 ALL EXPOSED METAL SURFACES ARE EXTRUDED ALUMINUM IN A CLEAR ANODIZED FINISH.  
 UNIT HAS TWO LOCKING & TWO NON-LOCKING BALL TYPE CASTERS.  
 MAP RAIL AT HEAD HAS NATURAL TAN CORK INSERT & TWO #51C PLASTIC MAP HOOKS.