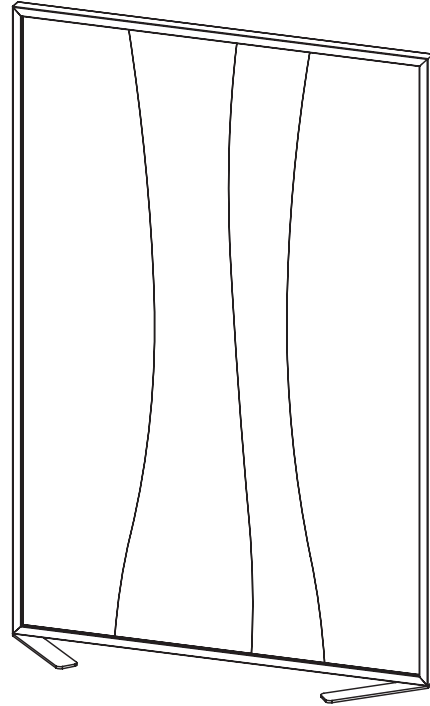




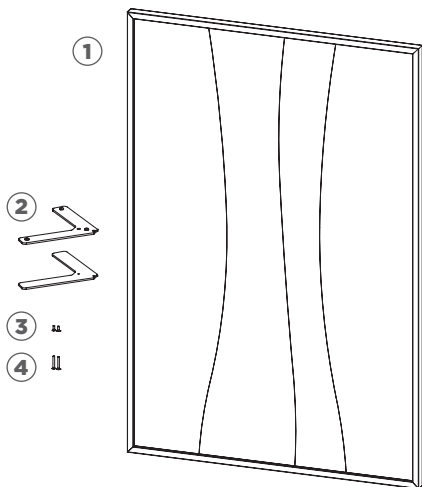
Ripple™ Acoustic Divider

ASSEMBLY INSTRUCTIONS



PACKAGE CONTENTS

- 1 - Divider Board
- 2 - Base (x2)
- 3 - 1/4-20 x 3/4" Hex Screws (x2)
- 4 - 5/16-18 x 2" Hex Screws (x2)



ASSEMBLY

- 1 - Lay the divider board flat on a table or the floor.
- 2 - Position base on bottom of board aligning holes.
- 3 - Screw base onto frame using the provided hardware.

