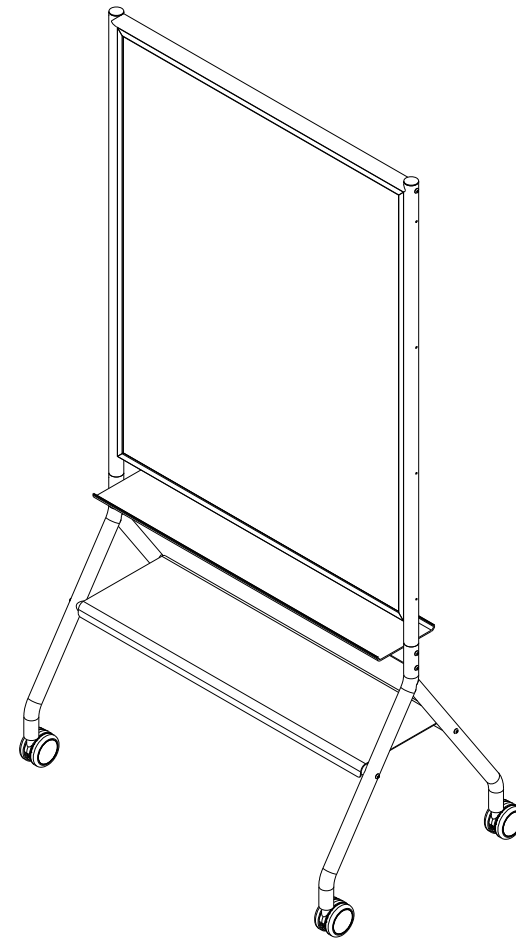
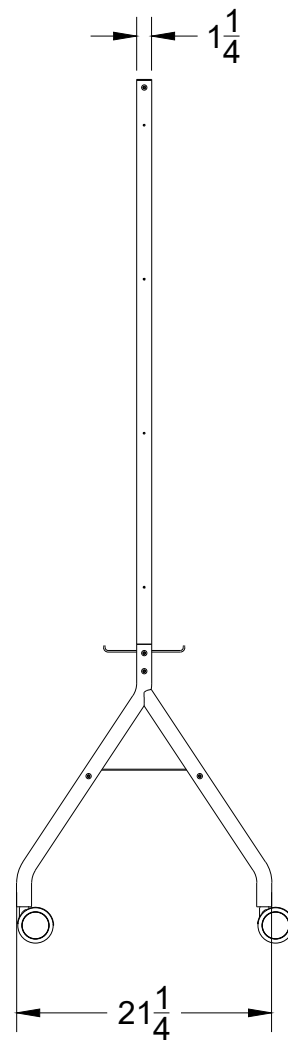
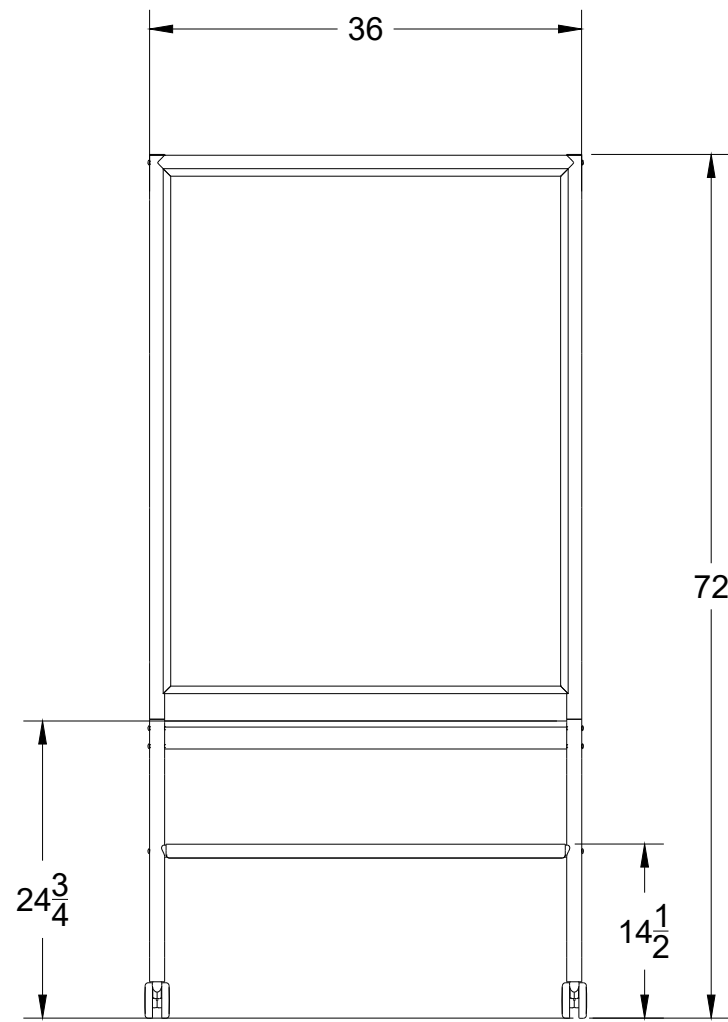
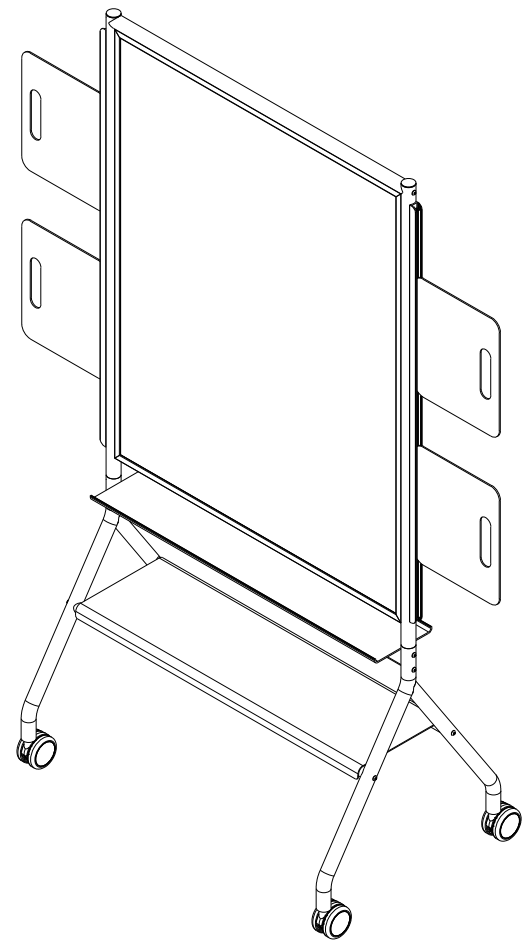
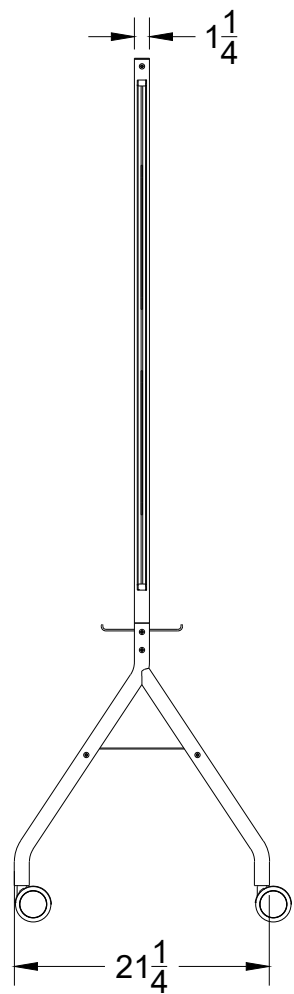
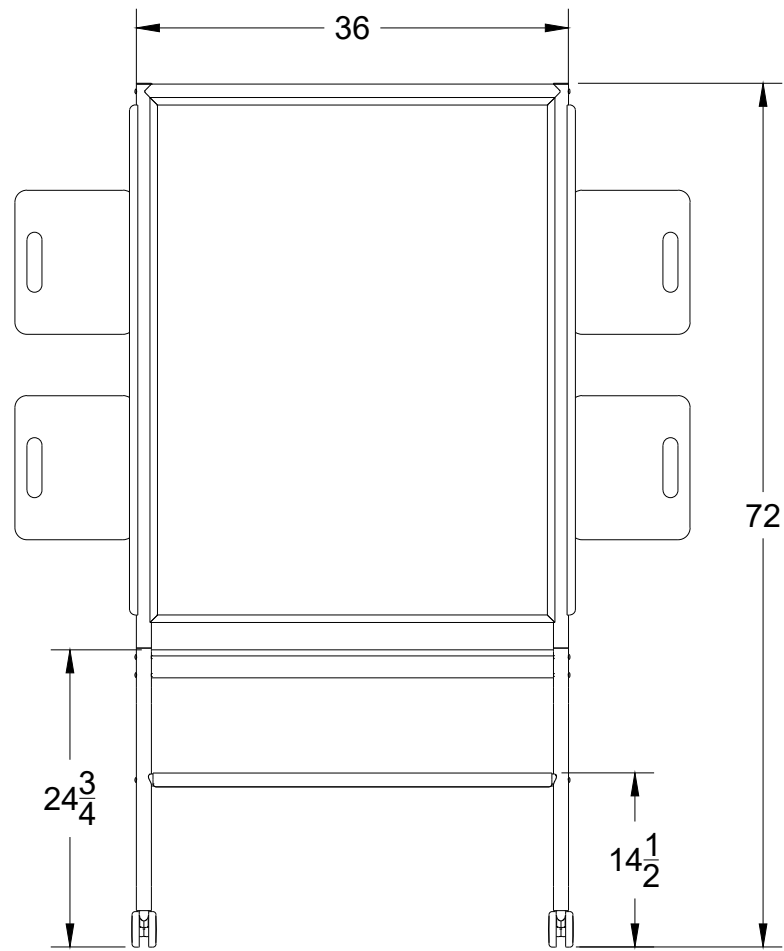


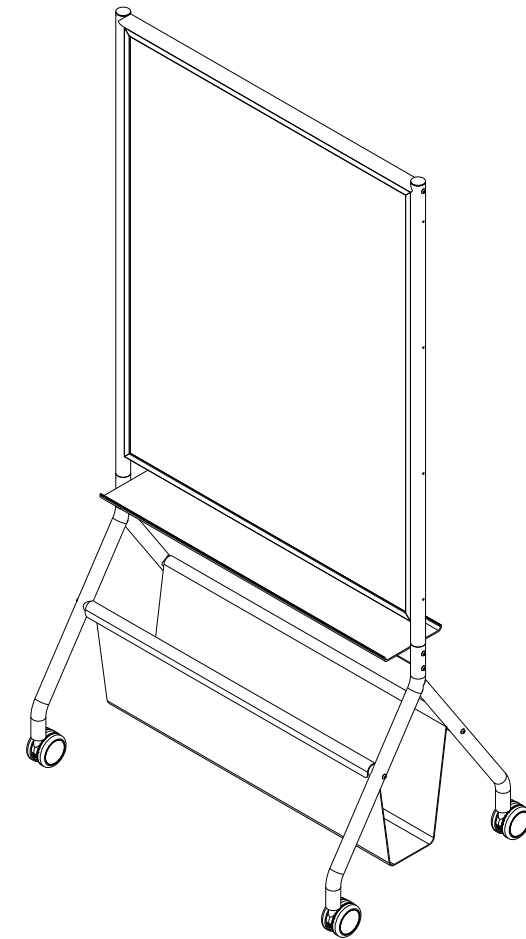
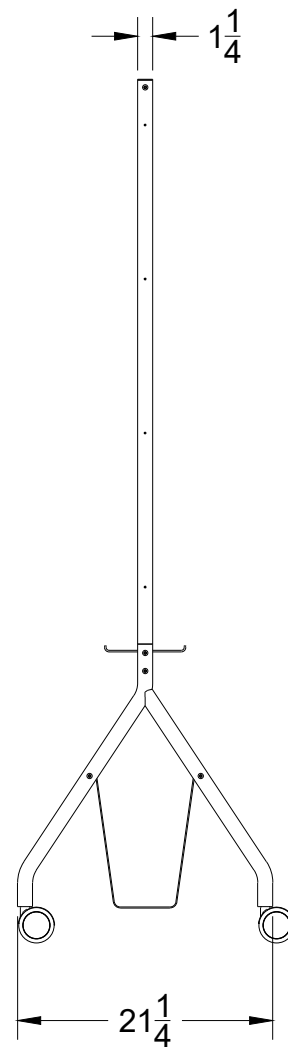
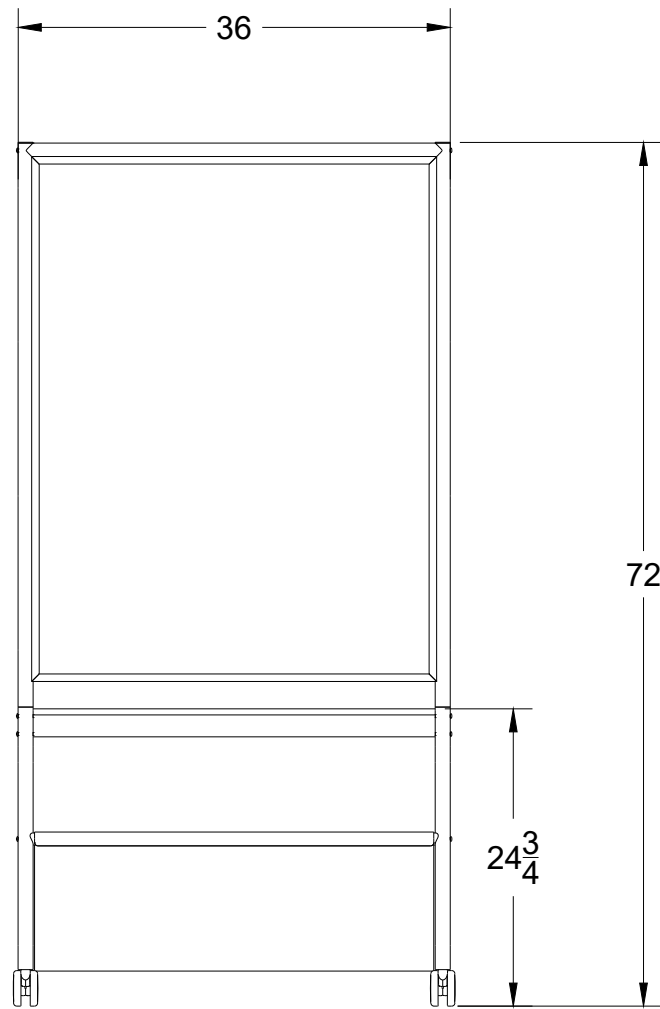
		PROJECT		
		<b>Claridge</b>		
		TITLE		
		<b>EDIFY 36" Base Unit EM-MB-MB-7236</b>		
APPROVED	SIZE	CODE	DWG NO	REV
CHECKED	B		EM-MB-MB-7236	01
DRAWN	John Walmsley 2021-06-04	SCALE 1:16	WEIGHT	SHEET 1/5



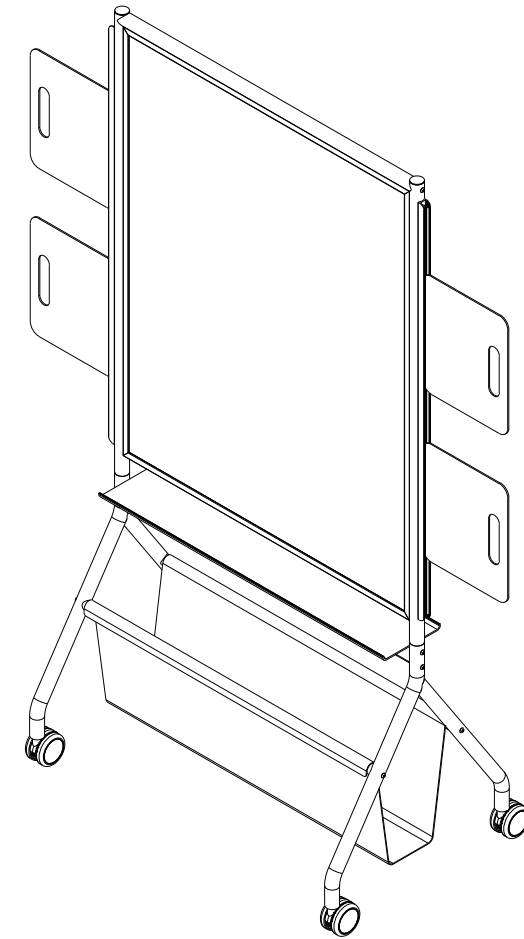
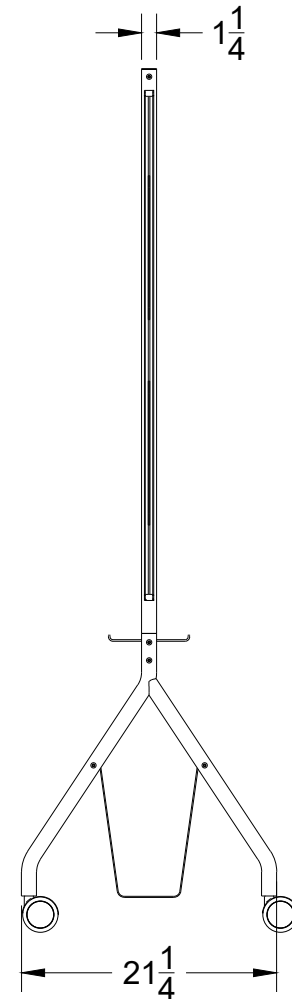
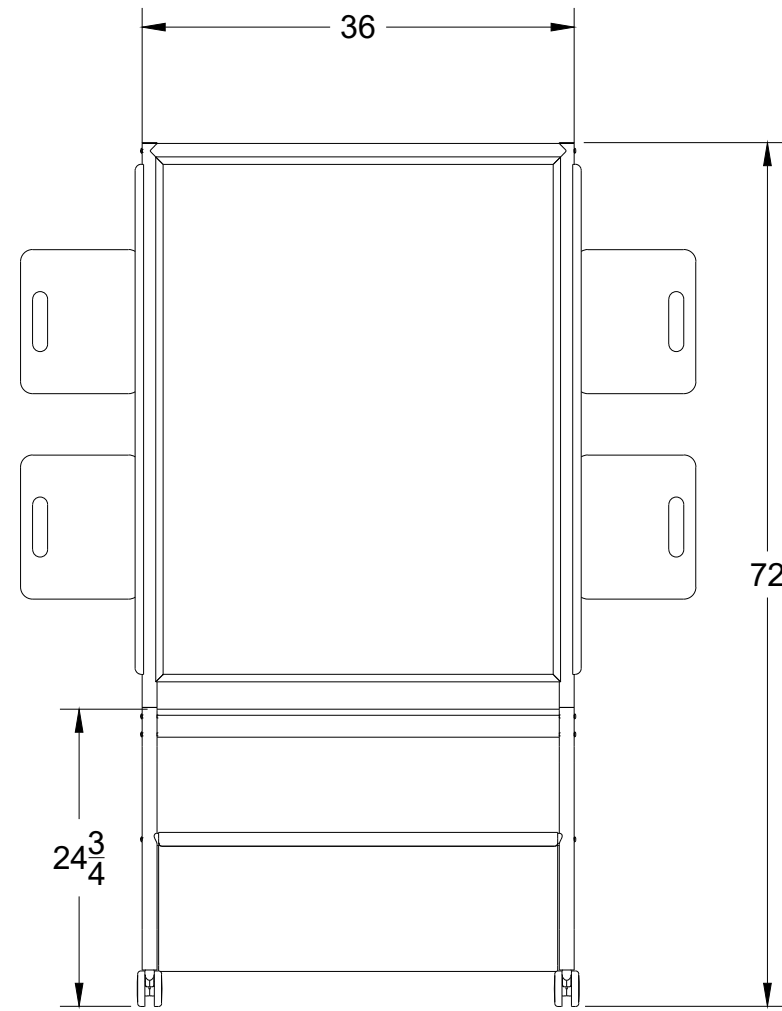
		PROJECT		
		<b>Claridge</b>		
		TITLE		
		<b>EDIFY 36" with Shelf Option EM-MB-MB-7236 , EM-36-SHF</b>		
APPROVED	SIZE	CODE	DWG NO	REV
CHECKED	B		EM-MB-MB-7236-36-SHF	01
DRAWN	John Walmsley 2021-06-04	SCALE 1:16	WEIGHT	SHEET 2/5



PROJECT				
<b>Claridge</b>				
TITLE				
<b>EDIFY 36" with Shelf Option EM-MB-MB-7236 , EM-36-SHF</b>				
APPROVED	SIZE	CODE	DWG NO	REV
CHECKED	B		EM-MB-MB-7236-36-SHF	01
DRAWN	John Walmsley 2021-06-04	SCALE 1:16	WEIGHT	SHEET 3/5



		PROJECT		
		<b>Claridge</b>		
		TITLE		
		<b>EDIFY 36" with Shelf Option EM-MB-MB-7236 , EM-36-BIN</b>		
APPROVED	SIZE	CODE	DWG NO	REV
CHECKED	B		EM-MB-MB-7236-36-BIN	01
DRAWN	John Walmsley 2021-06-04	SCALE 1:16	WEIGHT	SHEET 4/5



		PROJECT <b>Claridge</b>		
		TITLE <b>EDIFY 36" with Shelf Option EM-MB-MB-7236 ,EM-36-BIN Lapboards</b>		
APPROVED	SIZE	CODE	DWG NO	REV
CHECKED	B		EM-MB-MB-7236-36-BIN + Lapboards	01
DRAWN	John Walmsley 2021-06-04	SCALE 1:16	WEIGHT	SHEET 5/5