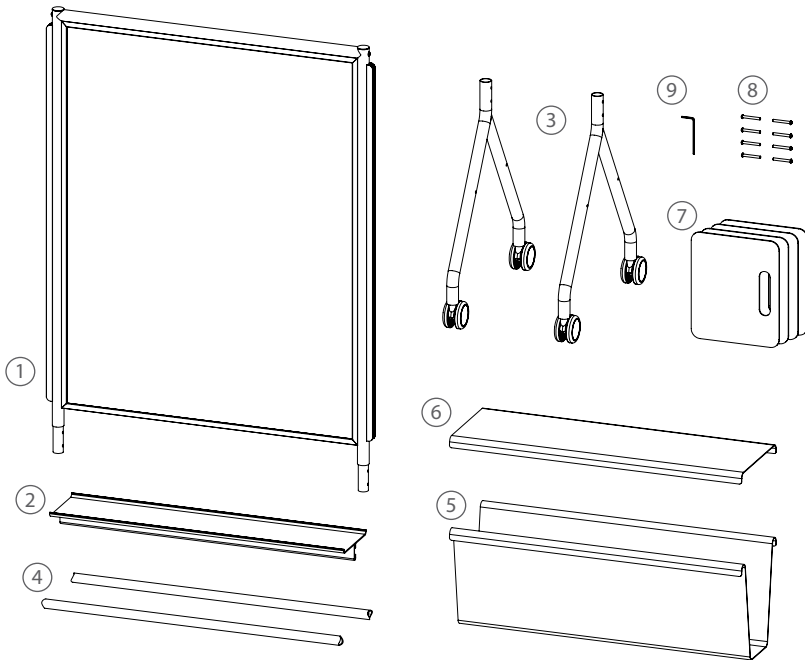
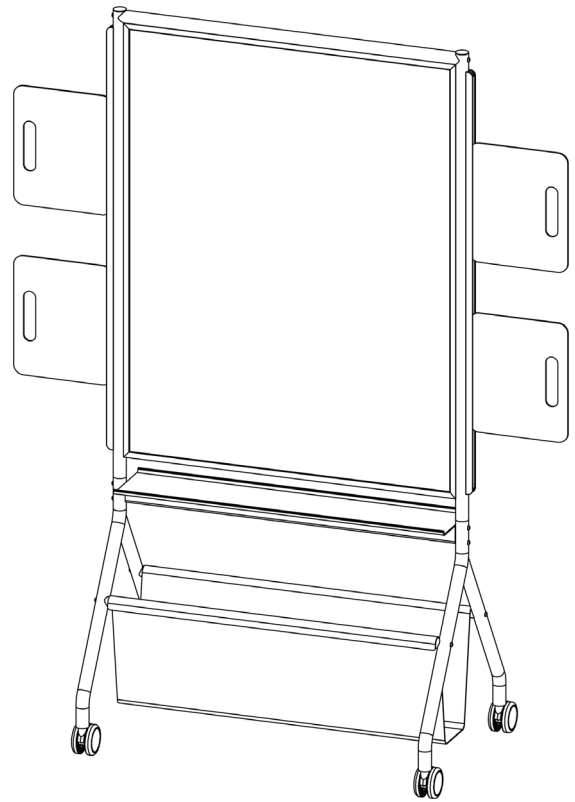




Edify™ Mobile Markerboard

PRODUCT OPTIONS &
ASSEMBLY INSTRUCTIONS



PACKAGE CONTENTS

STANDARD COMPONENTS

- 1 - Board Subassembly
- 2 - Marker Tray
- 3 - Leg Assembly (x2)
- 4 - Support Tube (x2)

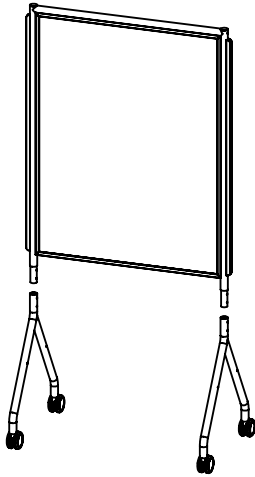
OPTIONAL COMPONENTS

- 5 - Lapboard Bucket
- 6 - Lower Tray
- 7 - Lapboard (x4)

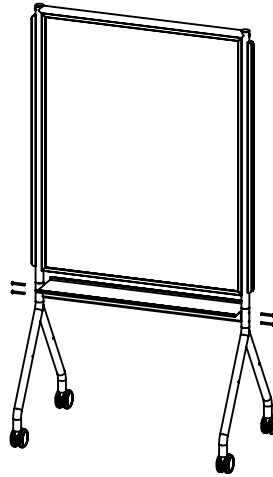
HARDWARE

- 8 - 1/4-20 x2" Hex Screws (x8)
- 9 - Allen Key

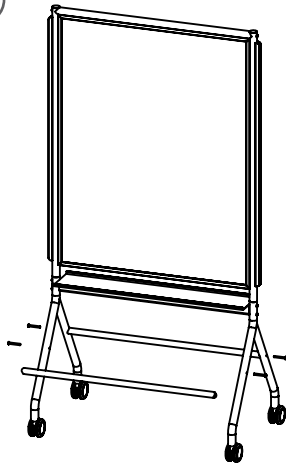
①



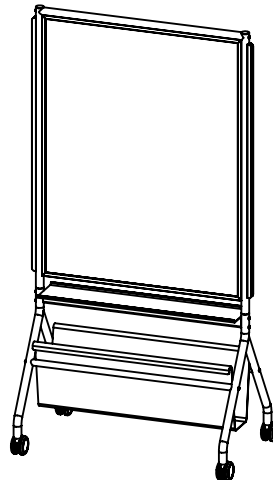
②



③



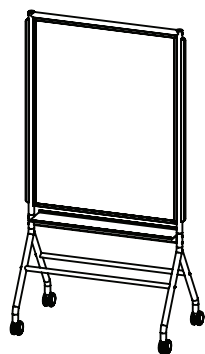
④



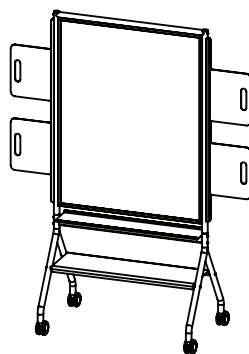
MOBILE ASSEMBLY

1. Insert legs into board assembly and align screw holes.
2. Place marker tray under the board assembly and align with the holes on the tube frame. Fasten assembly together with provided screws by inserting them from the outside of the tube screwing into the marker tray.
3. Align each cross tube with the holes on the lower legs and fasten into place with the provided screws.
4. Remove adhesive tape from under lip of shelf or bin and place into location on top of the two cross tubes

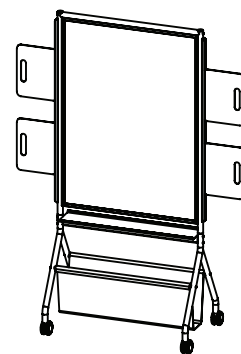
OPTIONS AND ACCESSORIES



Edify Base



Edify with Shelf, Lapboards



Edify with Bin, Lapboards