

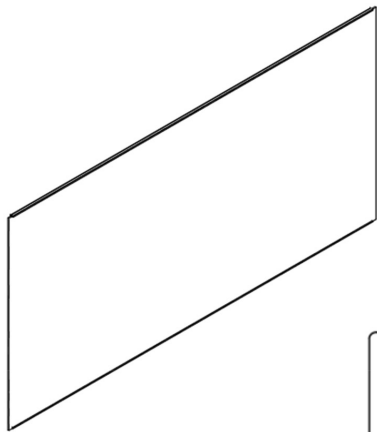


# Arise Markerboard & Wall



## INSTALLATION INSTRUCTIONS

---



1191



1226

### In the box:

- Arise markerboard panel
- 1191 trim (2)
- 1226 trim (2)

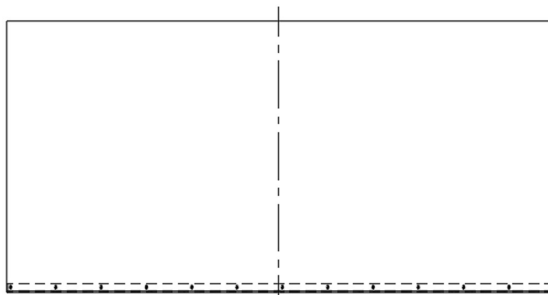
### Not provided:

- Appropriate wall fasteners
- PL adhesive

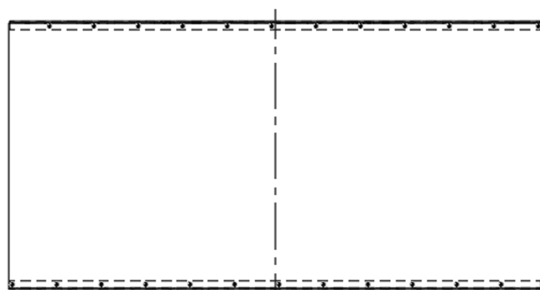
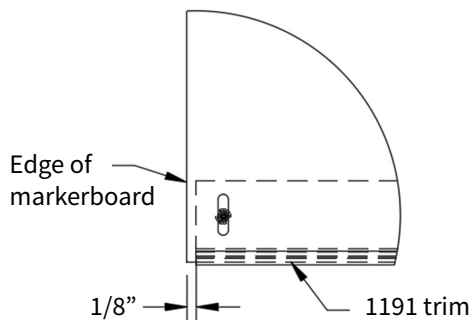
### WARNING

Risk of injury to installers and users

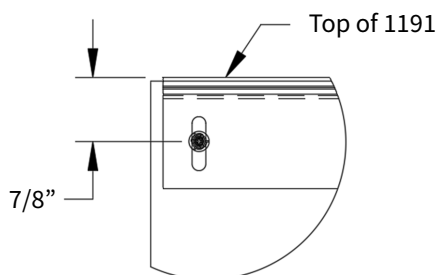
Read the entire assembly directions before beginning assembly.



Center



Center

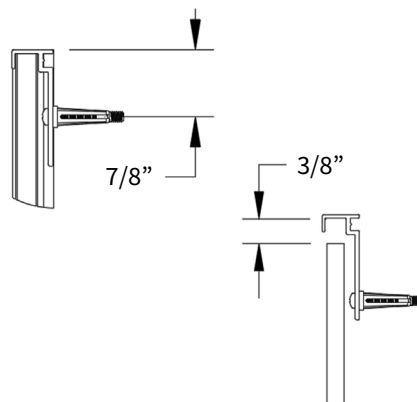


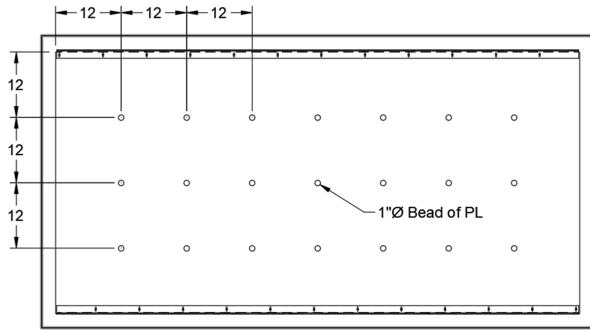
## Instructions:

1. Determine the desired bottom position of the board on the wall. Mark a level line with a pencil and also mark center.
2. Place the bottom edge of the 1191 trim on the level line and centered left to right. Drill in center of every slot.
3. Using appropriate wall fasteners, attach 1191 trim to the wall. Use a straight edge, shim where necessary so that all anchor points of the hanger are in line and level.

Note If installing 1226 trim the length of the 1191 trim needs to be cut  $\frac{1}{4}$ " short of overall width of the panel/panels. This will allow the boards to extend past each end of the 1191 trim  $\frac{1}{8}$ ".

4. When installing the top trim. Measure up from the bottom, of the bottom trim the height of the panel plus  $\frac{1}{8}$ ". Make a level line and mark center. With the top edge of the trim on the line and centered left to right. Drill in the center of each slot.
5. Using appropriate wall fasteners, attach 1191 trim to the wall. Push trim up and snug securely. Do not overtighten because trim will be tapped down to hold the panel. Use a straight edge, shim where necessary so that all anchor points of the hanger are in line and level.

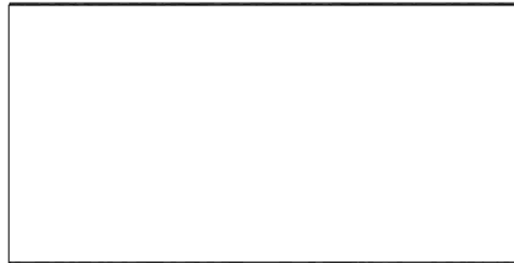
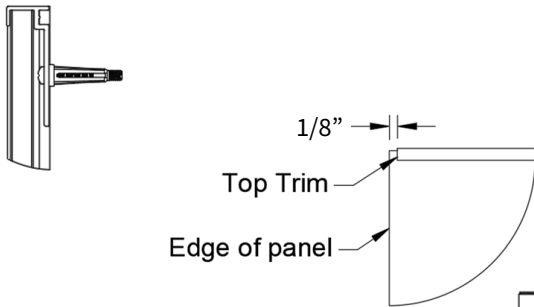




### Instructions:

- Place board face down on a clean flat surface. Apply golf ball size of PL beads in a 12" X 12" inch grid pattern as shown to the back of the panel.
- Place panel into bottom trim press on surface to ensure back of panel glues to the wall. Gently tap the top trimmed down to secure panel. Make sure the edge of the panel overhangs trim 1/8".

Note: If installing multiple panels make sure the top trim isn't so low it prevents the next panel from sliding into place. Cut joint connector to fit between top and bottom trim. Insert the joint connector and repeat 6 & 7



- After panel/panels are installed and trim tapped down. Measure the overall height and cut the 1226 trim to size.
- Apply a small bead of PL adhesive to the inside of the trim. Press the trim onto the edge of the board. Secure trim in place with painters tape until adhesive has dried.

