



## Glass Markerboard

Magnetic with  
Invisi-mount



### INSTALLATION INSTRUCTIONS

---

**Note:**

Number of dual-lock assemblies furnished varies with markerboard size.  
4' markerboards get 3 dual-lock sets; 6' size gets 4; 8' size gets 5.

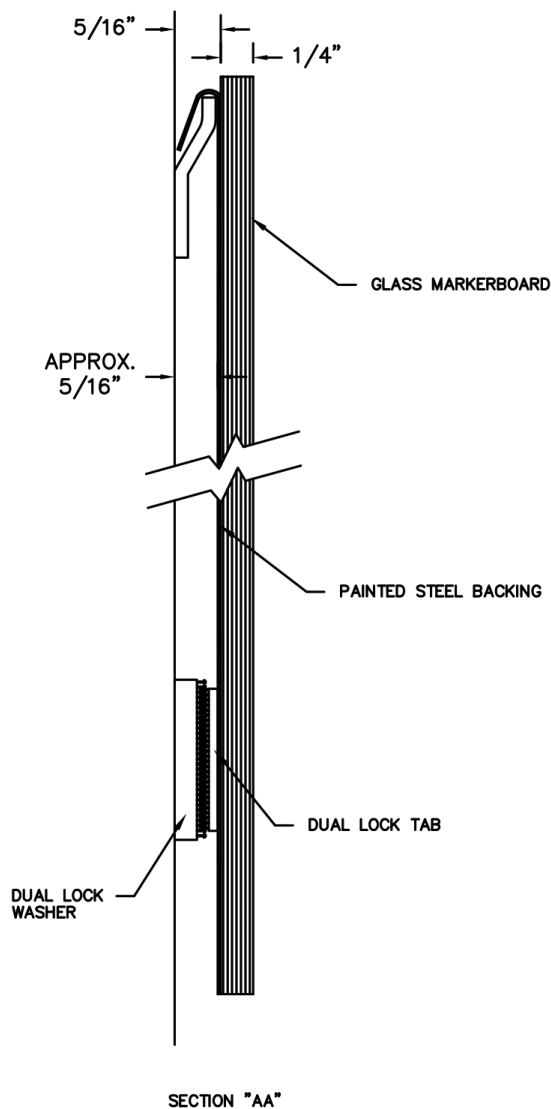
Use caution when positioning glass markerboard panels next to each other. Because the weakest point of tempered glass is along the edges, edges should be protected as much as possible. Take care not to bump, rub, or grind edges together as fracturing may occur. Calyx will not be held responsible for damage caused by improper handling during installation.

*\*Dual lock is a registered trademark of 3M Corporation.*

**WARNING**

Risk of injury to installers and users  
Read the entire assembly directions before  
beginning assembly.

# Glass Markerboard with Invisi-mount



## INSTALLATION INSTRUCTIONS

1. Determine and mark desired height for mounting the magnetic glass markerboard
2. Measure down  $1 \frac{9}{16}$ " from designated height and strike a horizontal line for the bottom of the Z-bar.
3. Attach Z-bar hanger to wall using appropriate screws. Note: Slotted holes in hanger bar ensure easy alignment.
4. Position board on top of hanger and engage with hanger on back of glass markerboard.
5. Make a mark at bottom corners of glass markerboard and carefully remove board from wall.
6. Measure in and up approximately 2-to-3" from marked corners and install dual-lock 'disk' (washer) on wall using appropriate fastener. Press dual-lock strip (tab) firmly into disk on wall making sure mating is secure. (Dual-locks should be evenly spaced along the bottom of board).
7. Remove tape from assembly.
8. Reinstall markerboard, engaging hanger on back of markerboard with hanger on wall.
9. Press in at the bottom allowing the back of the glass markerboard to stick to the exposed adhesive on the hook and loop assembly.



800-434-4610  
claridgeproducts.com