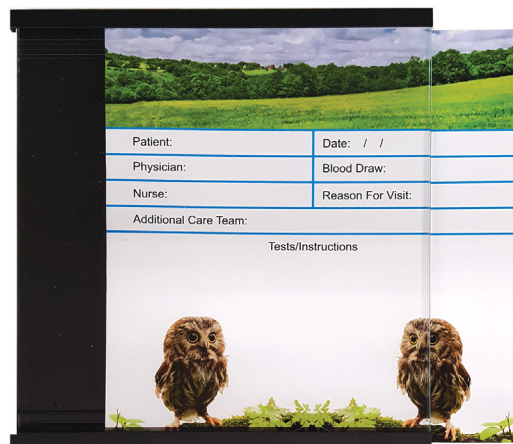




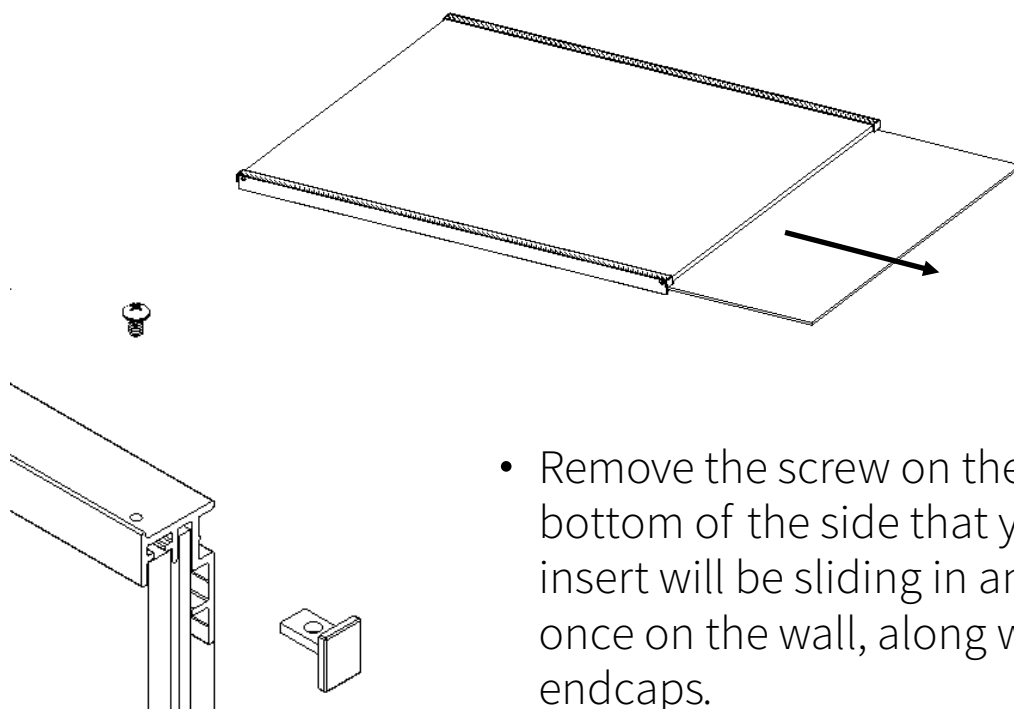
XCHANGE

Changeable Graphics Board



ASSEMBLY INSTRUCTIONS

- After unpacking and inspecting your new Xchange board, lay on a flat surface and remove graphic insert.



- Remove the screw on the top & bottom of the side that your graphic insert will be sliding in and out of once on the wall, along with plastic endcaps.

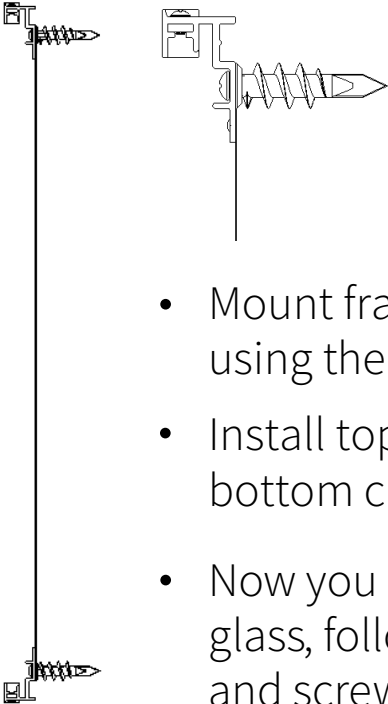
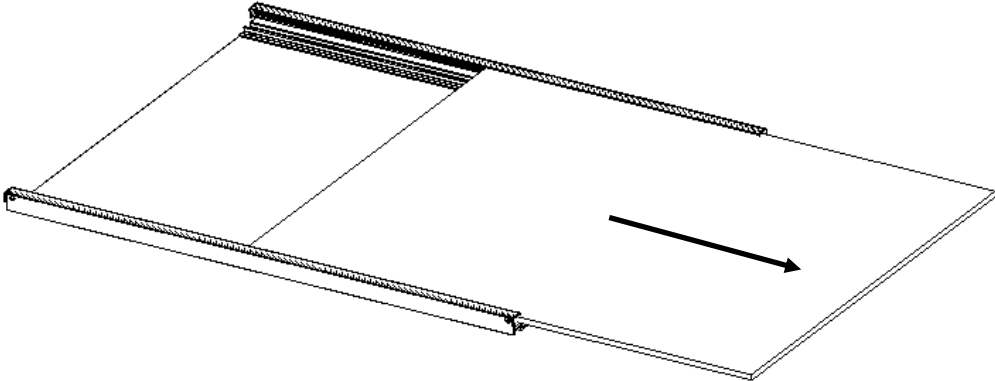
WARNING

Risk of injury to installers and users
Read the entire assembly directions before
beginning assembly.

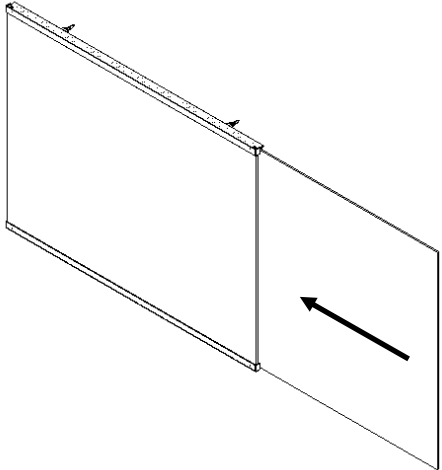
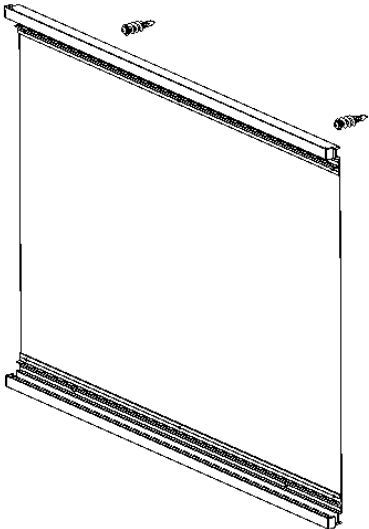
Xchange Board

Assembly

Gently remove the glass and place in a safe place.



- Mount frame in desired location, using the appropriate wall anchors.
- Install top channel followed by the bottom channel.
- Now you are ready to reinsert your glass, followed by the endcaps and screws.
- Finally reinstall your graphic insert.



800-434-4610
claridgeproducts.com