



Premiere Freestanding Display Case



INSTALLATION INSTRUCTIONS

WARNING

Risk of injury to installers and users

Read the entire assembly directions before beginning assembly.

Tools

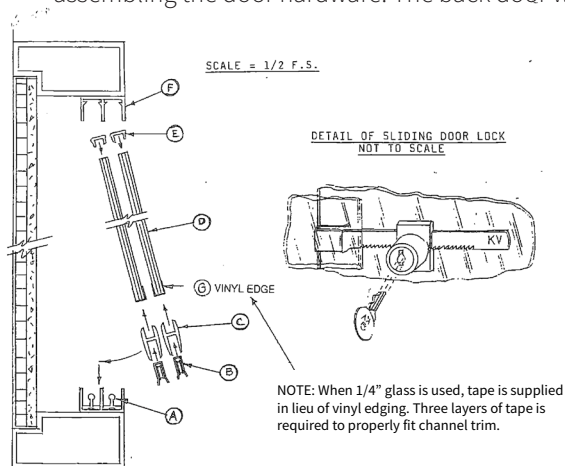
Level/Laser

Rubber Mallet

Utility Knife

Installation Instructions

1. The unit has adjustable glides on the bottom of the legs. After the unit is positioned in place. Screw the glides up or down to level the unit. Make sure all the glides have contact with the floor.
2. Insert the shelf bracket into the standard. Use a rubber mallet to tap the bracket down insuring the bracket locks into place. Note: Make sure the brackets for each individual shelf are level.
3. Place shelves on the shelf brackets.
4. Place the sliding door track into the door channel. Refer to the sliding door installation instructions on assembling the door hardware. The back door will need to be placed in the unit first.



Sliding Door Installation Instructions

1. Insert door rollers "B" into long portion of "H" shaped aluminum door channel "C" approximately 1 1/2" from each end.
2. Install vinyl glazing "G" on bottom edge of glass doors. Vinyl glazing shipped loose.
3. Slide aluminum door channels "C" onto glass doors "D" at vinyl glazing.
4. Slide rubber door guides "E" onto top of glass doors approximately 1 1/2" from each end.
5. Slip entire door assembly upwards into top track "F" and let rollers "B" rest on round portion of lower track assembly "A".



800-434-4610
claridgeproducts.com